

## MOULDINGS

## PAGE

Quality interior moulding and trim is the most visible sign of a well built home. Crown moulding, chair rails, baseboards and casing can transform an ordinary four walls into a warm, inviting and elegant space.

Van Millwork is your source for the largest variety of mouldings and trim:

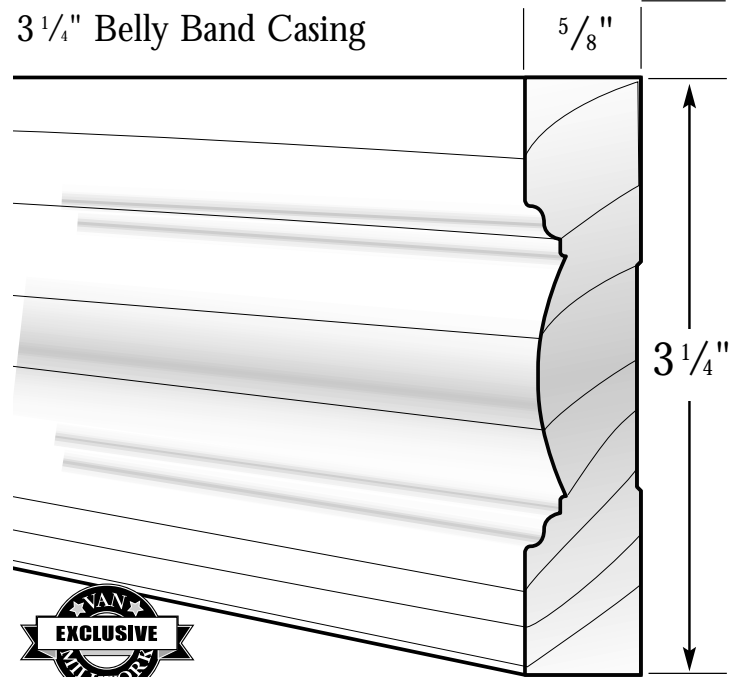
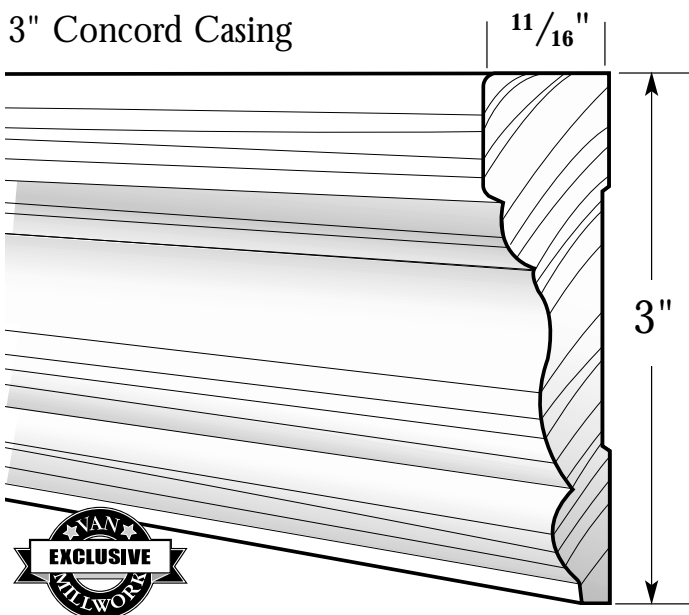
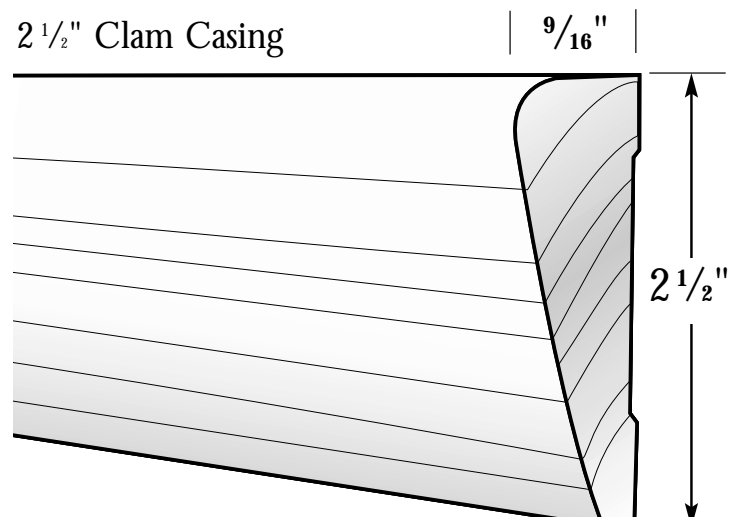
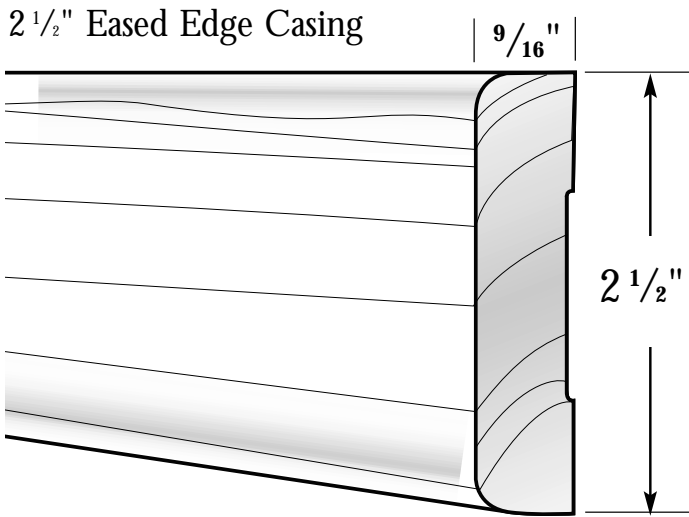
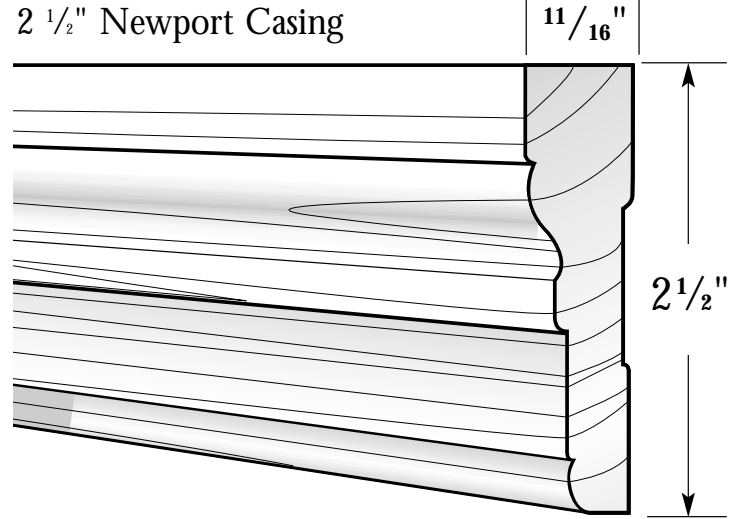
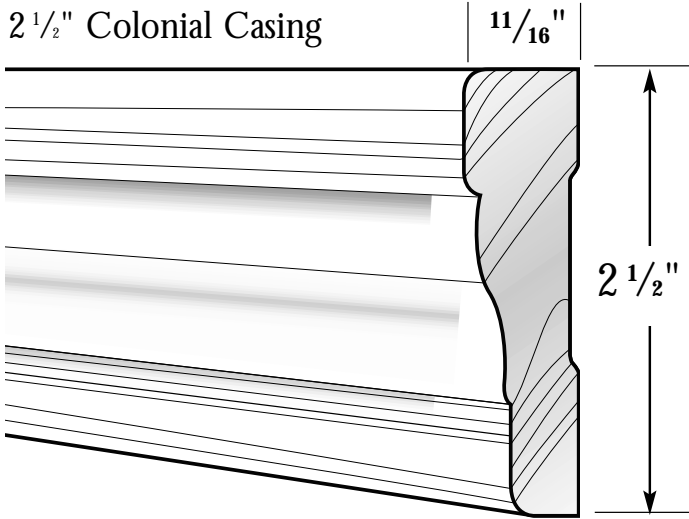
**Stock Mouldings:** Van has over 100 different styles, in-house and ready to deliver. 2-1

**Custom Mouldings:** Van offers custom mouldings in a variety of profiles. In addition, we can provide custom mouldings from your own unique design or in a special wood species. 2-19

**Flexible Mouldings:** Polyurethane mouldings for curved applications that resist breaking, cracking or splitting. 2-44

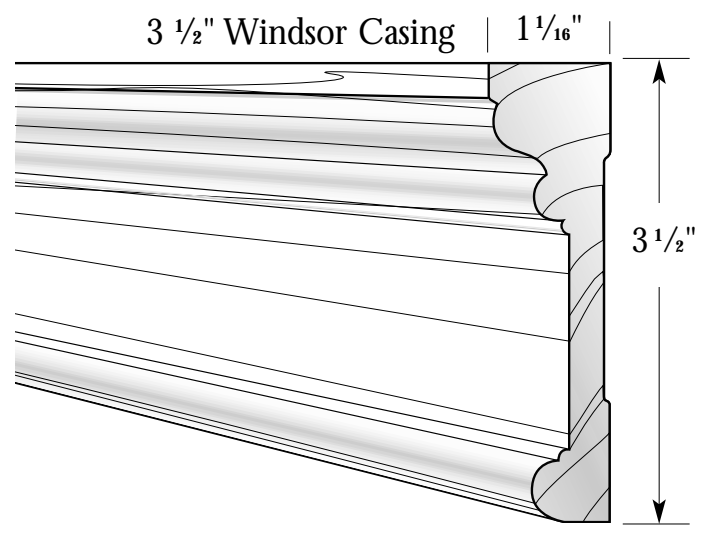
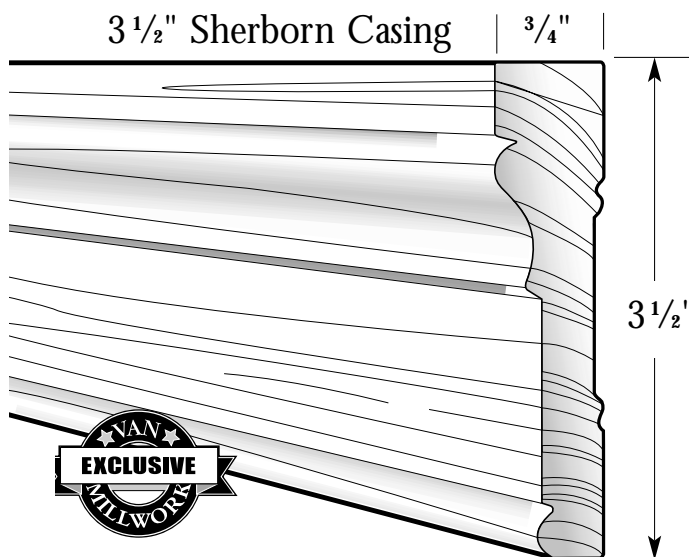
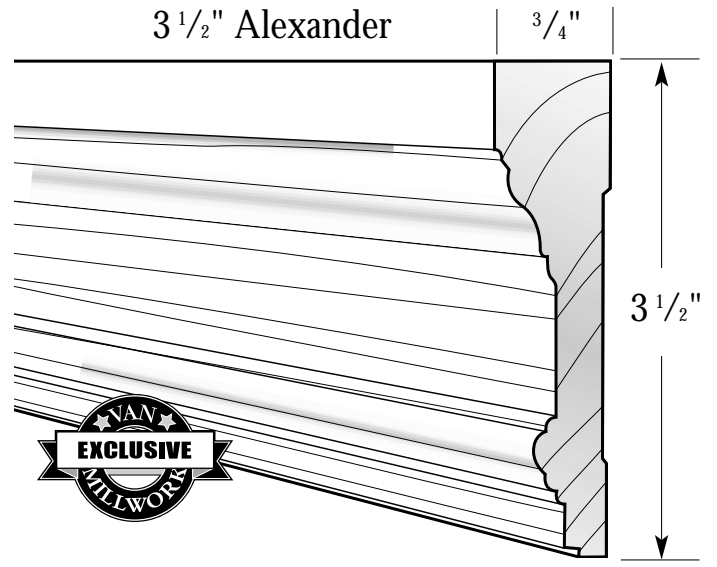
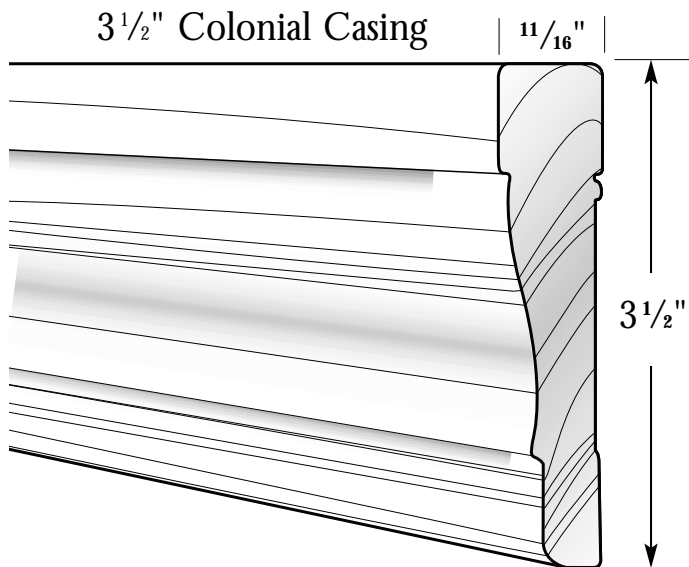
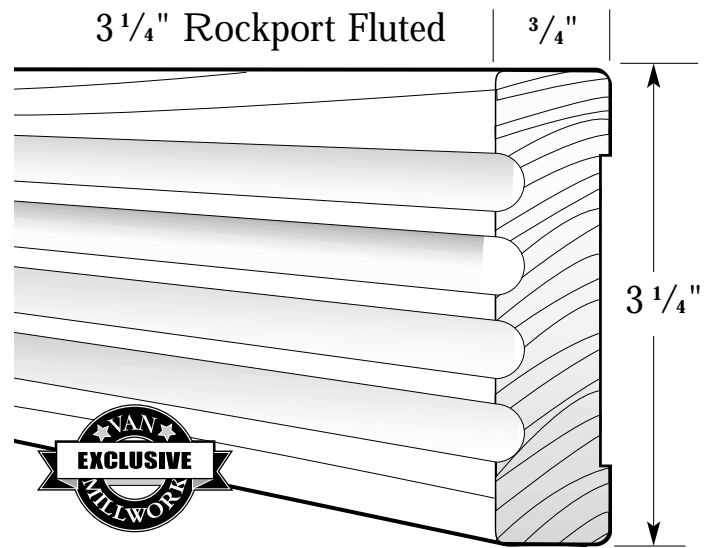
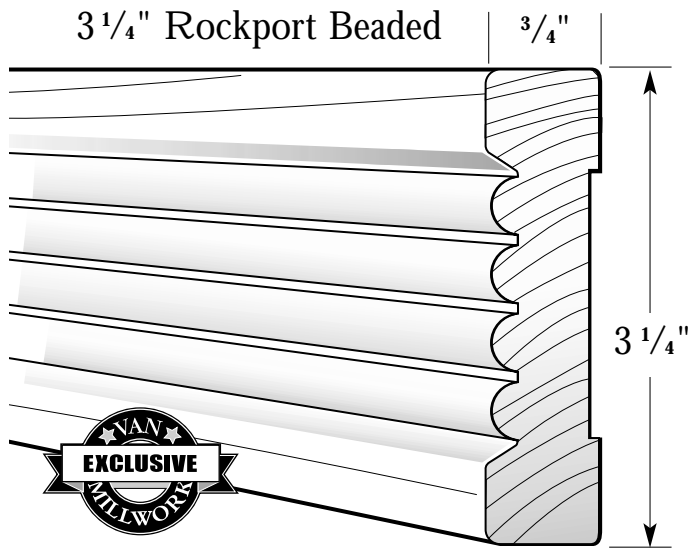
**Architectural Mouldings:** Premium lines of wood, gypsum or polyurethane mouldings in styles and details to complement Van's selection. 2-45

► Casings

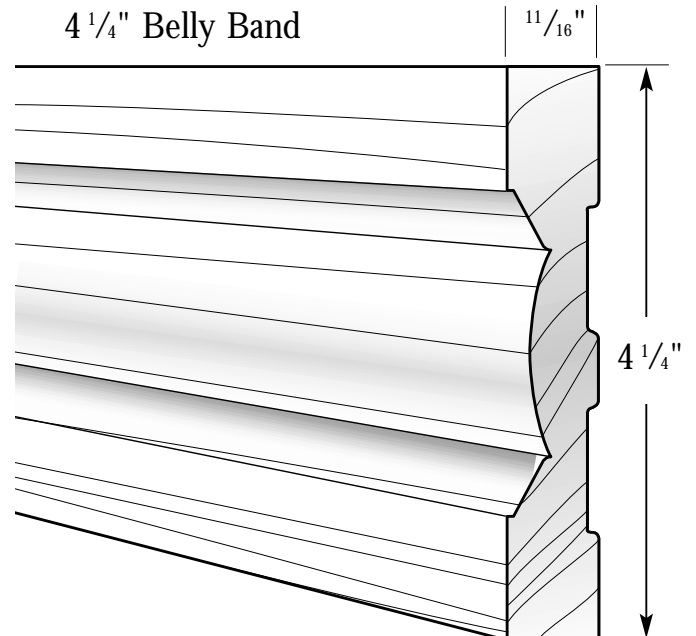
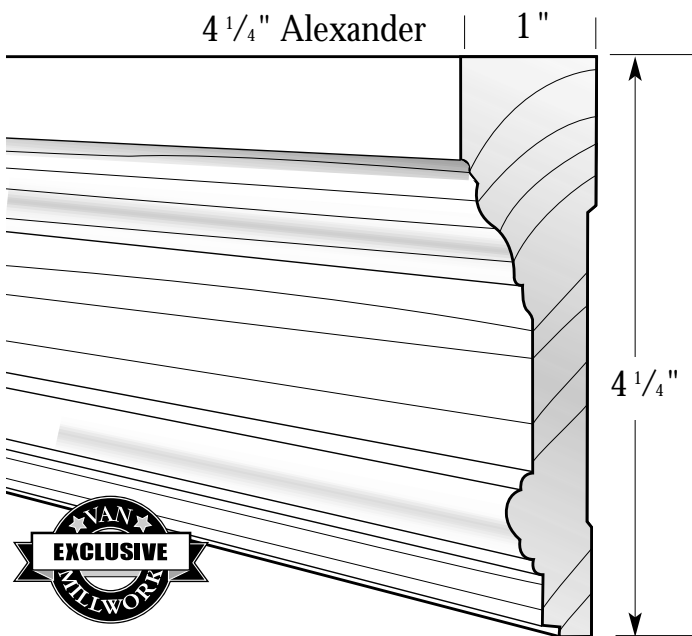
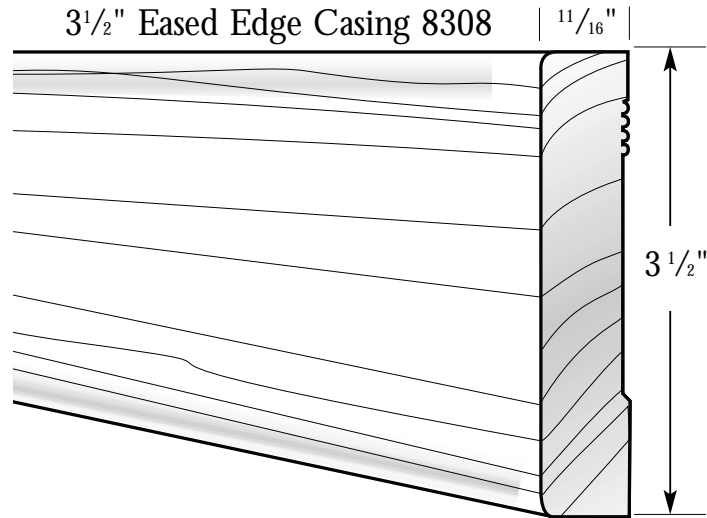


Shown at 92% Scale

► Casings

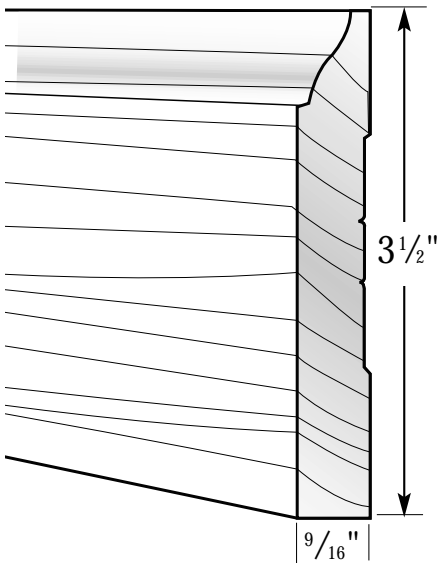


Shown at 75% Scale

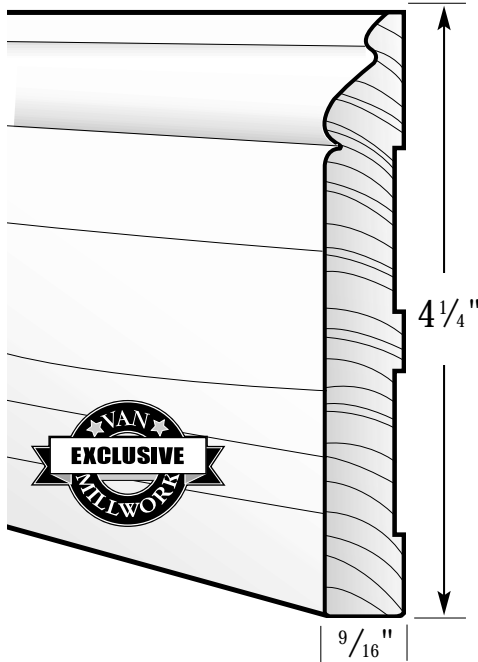


Shown at 70% Scale

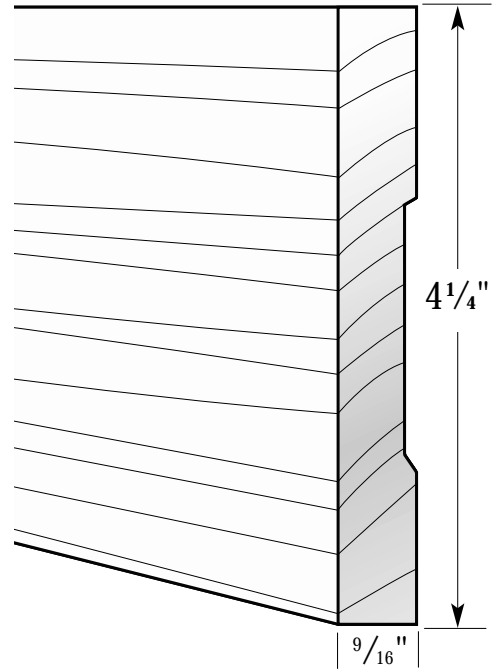
3 1/2" Colonial Base



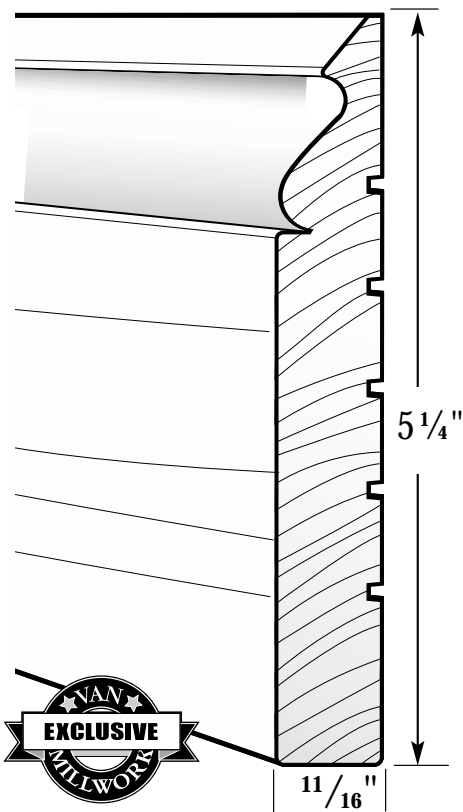
4 1/4" Speed Base



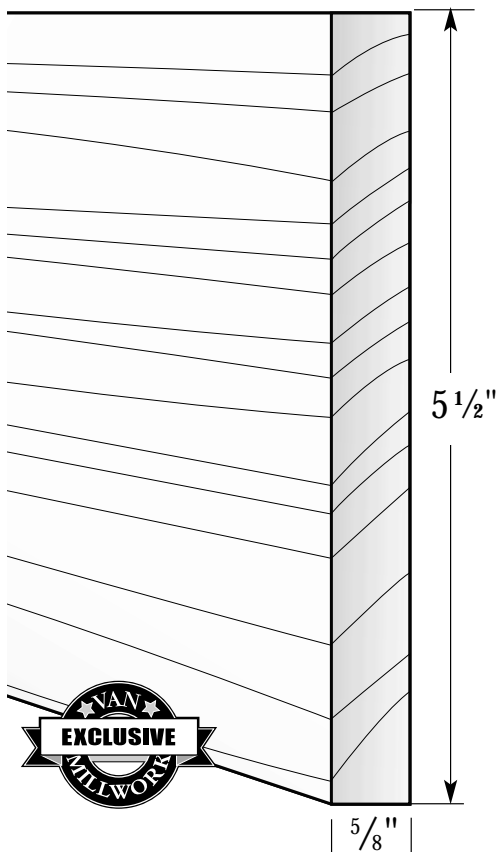
4 1/4" Square Base



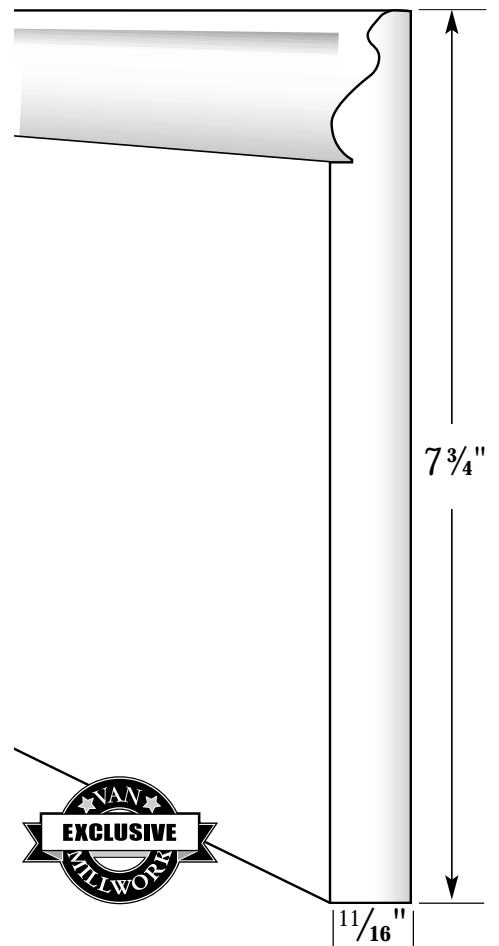
5 1/4" Speed Base



5 1/2" Square Base

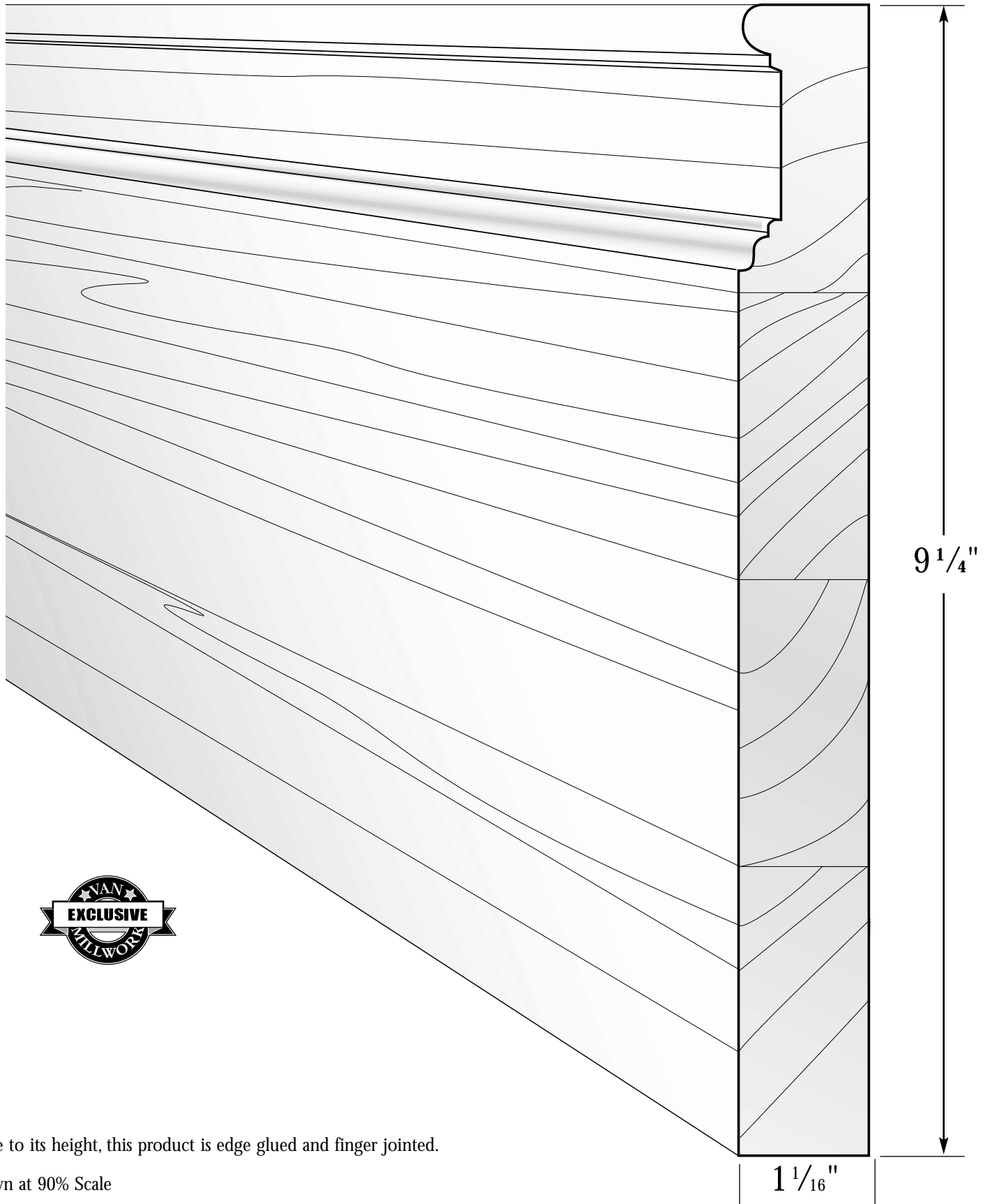


7 3/4" MDF Speed Base\*



Shown at 75% Scale \*Shown at 60% Scale

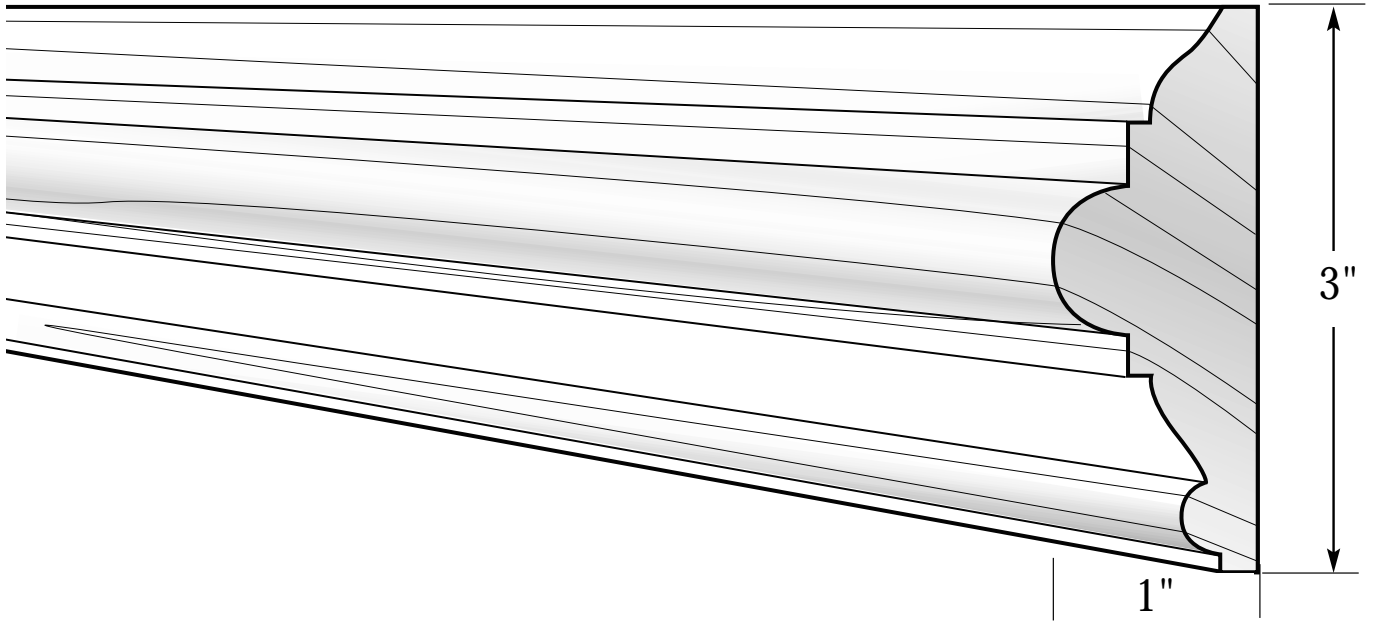
9 1/4" Speed Base/Plinth Block\*



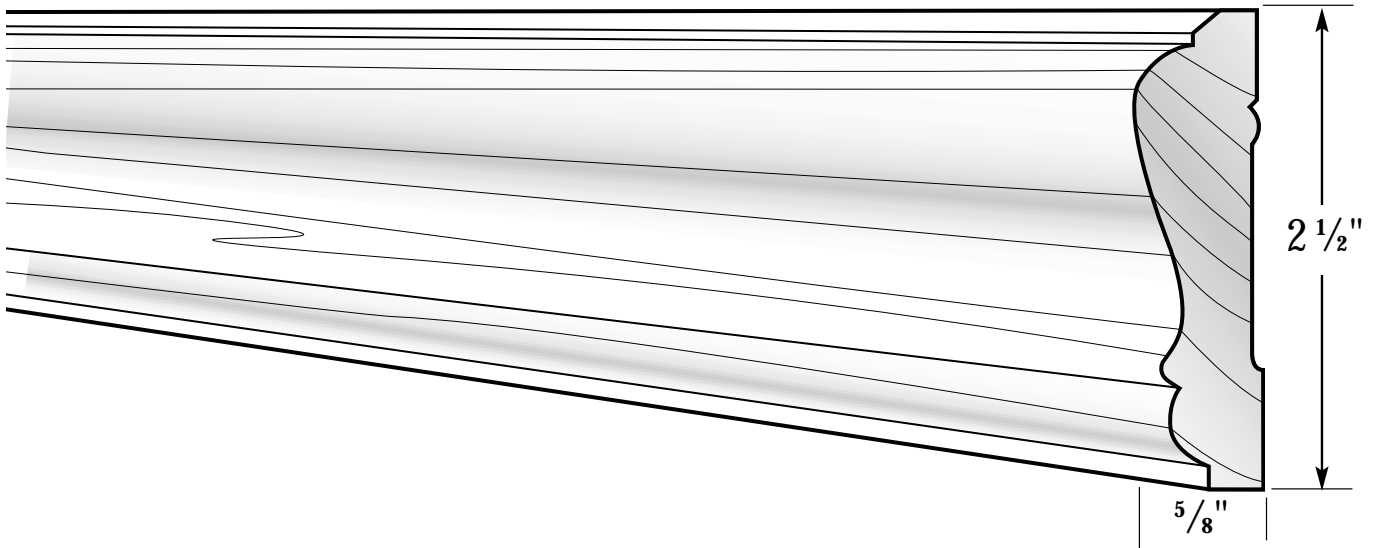
\*Due to its height, this product is edge glued and finger jointed.

Shown at 90% Scale

3" Chair Rail WM300



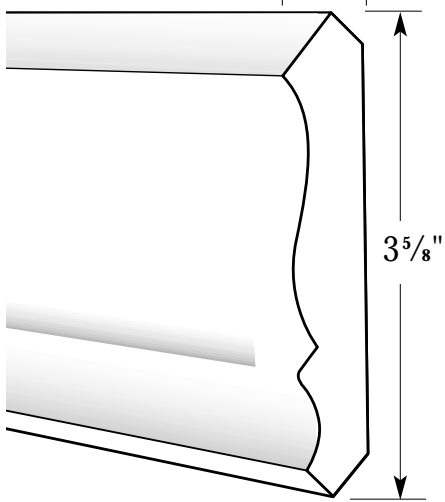
2 1/2" Gov. Francis Chair Rail 8630



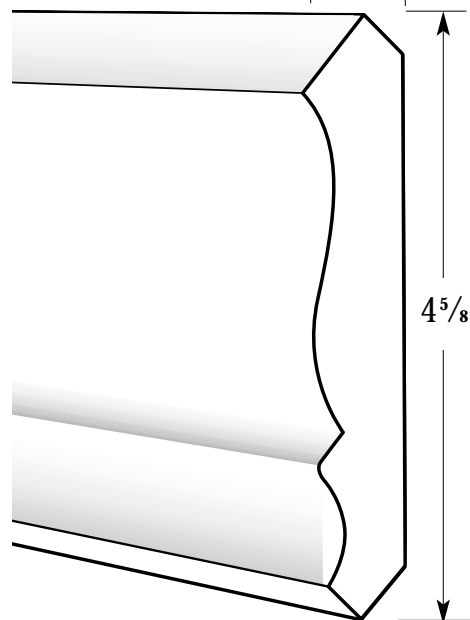
Shown at 100% Scale

► Crowns

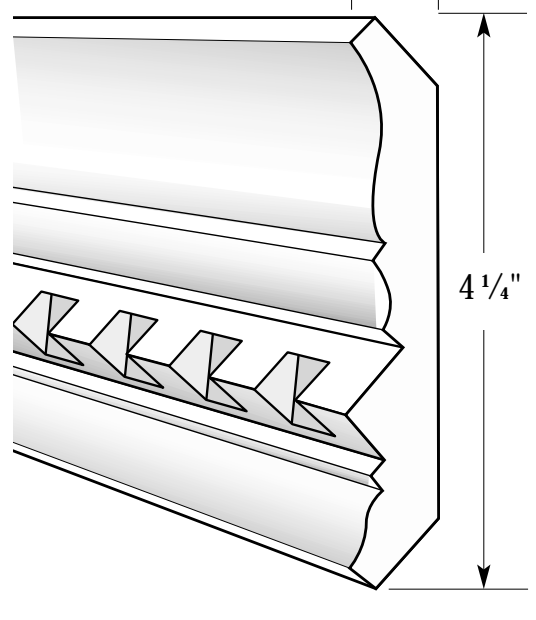
3 5/8" Crown 8009 | 9/16"



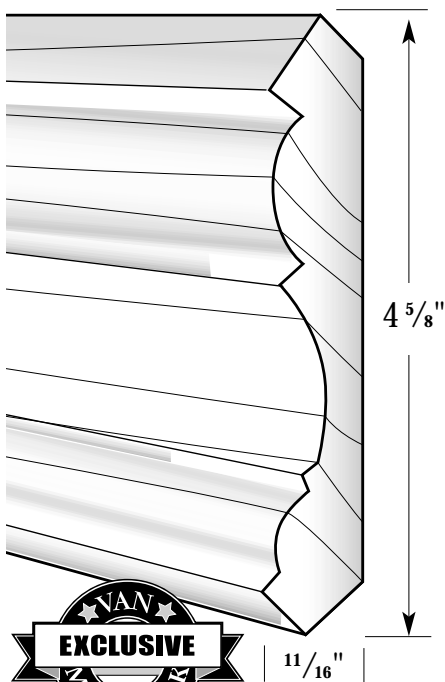
4 5/8" Crown 8013 | 9/16"



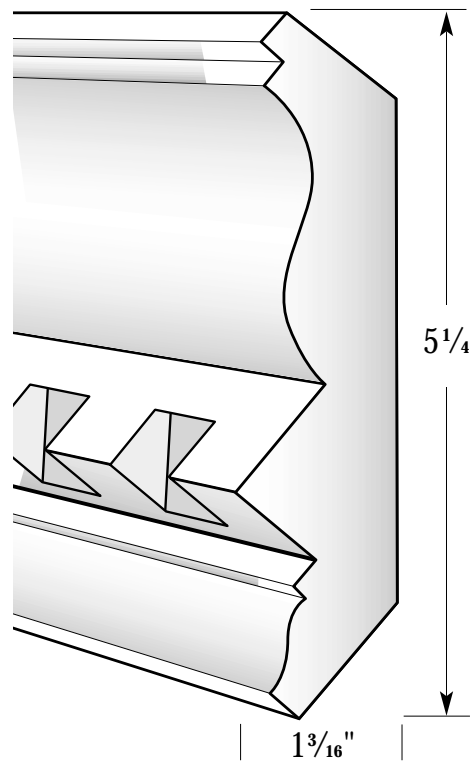
4 1/4" Crown KM414 | 5/8"



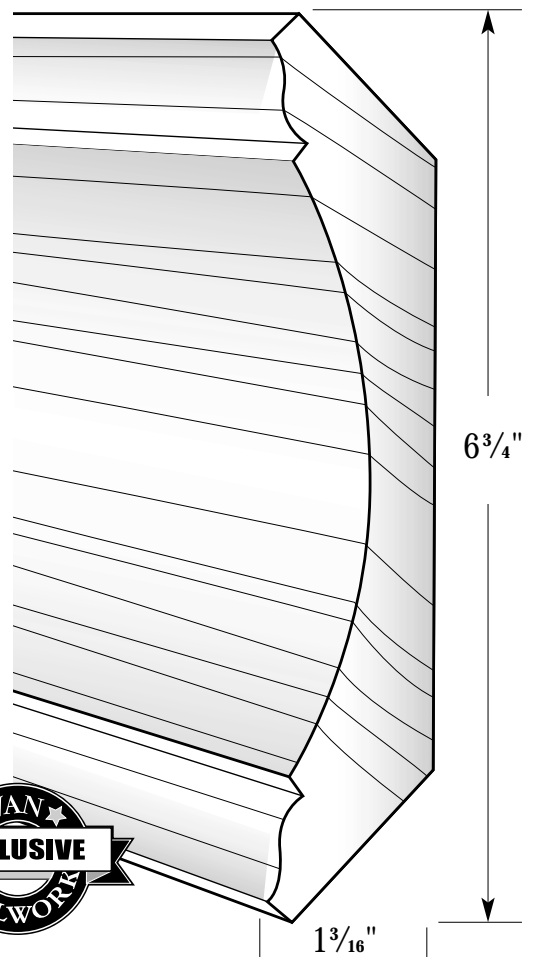
4 5/8" Van Crown



5 1/4" Crown KM514

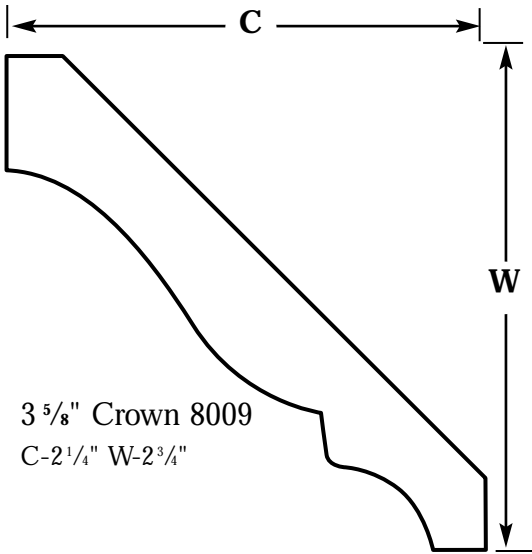


6 3/4" Crown

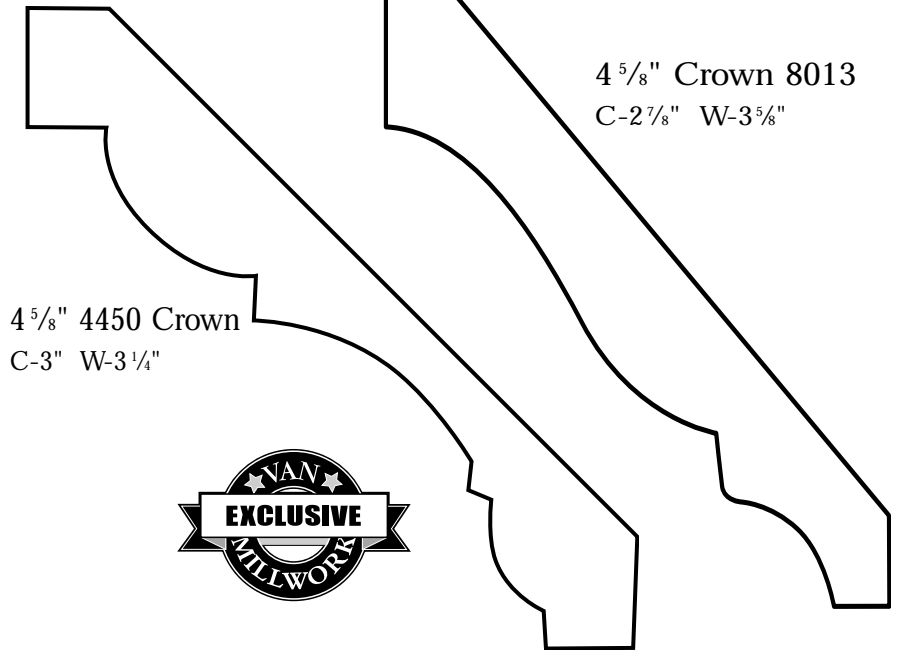


Shown at 70% Scale





3 5/8" Crown 8009  
C-2 1/4" W-2 3/4"



4 5/8" Crown 8013  
C-2 7/8" W-3 5/8"

4 5/8" 4450 Crown  
C-3" W-3 1/4"



6 3/4" Crown  
C-4 3/4" W-4 3/4"

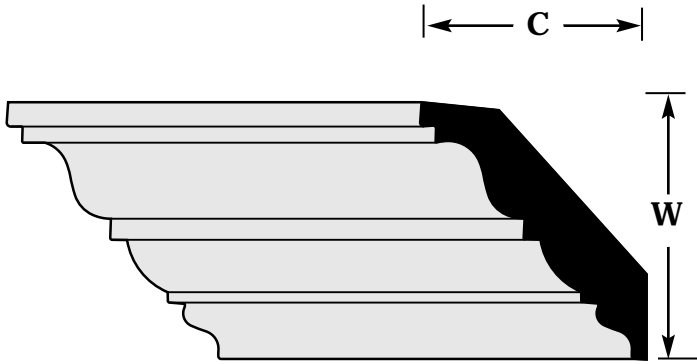


5 1/4" Crown with  
Dentil KM514  
C-3 1/4" W-4"

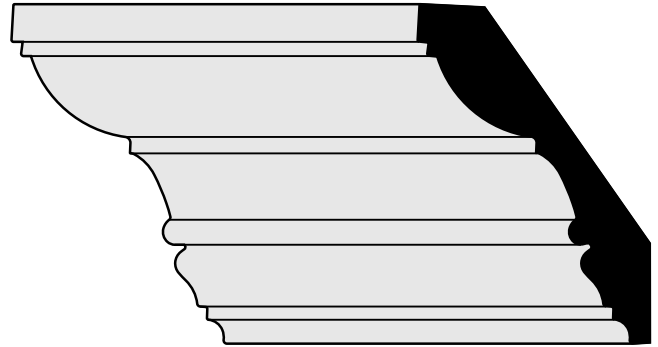
4 1/4" Crown with  
Dentil KM414  
C-3" W-3"

Shown at 100% Scale

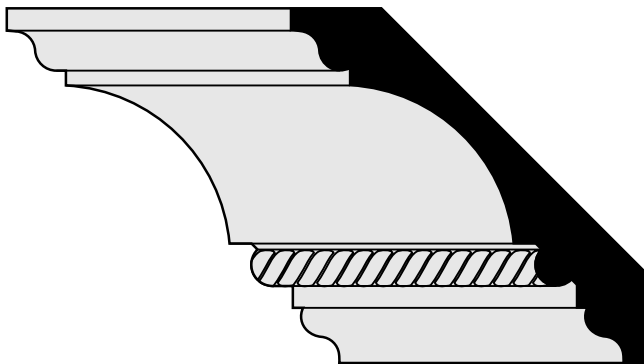
Lengths of 8' to 16' are in stock and available for quick ship.  
These Accra mouldings are stocked in clear poplar. Other species available by special order.



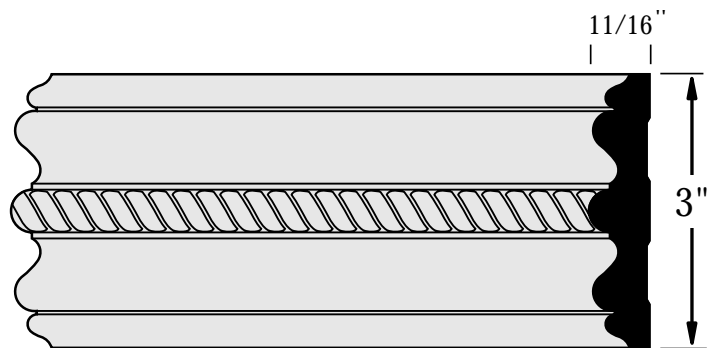
ADM 450  
3/4" x 3 11/16" Popular Crown  
C=2 1/2" W=2 1/2"



ADM 451  
13/16" x 4 7/16" Popular Crown  
C=2 1/2" W=3 1/2"



ADM 474  
13/16" x 5 1/2" Popular Crown  
C=3 3/4" W=3 3/4"

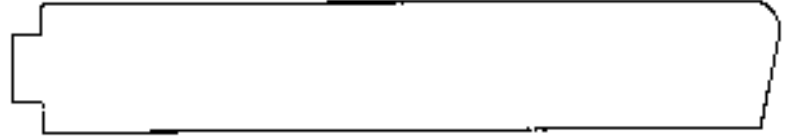


ADM 674  
11/16" x 3" Popular Chair Rail

► Stool Caps



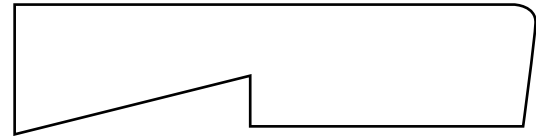
1275  $1\frac{1}{16}$ " x 2"  
for Andersen Tilt-Wash Double-Hung Units •  $4\frac{9}{16}$ " Wall



1276  $1\frac{1}{16}$ " x 4"  
for Andersen Tilt-Wash Double-Hung Units •  $6\frac{9}{16}$ " Wall



1279  $1\frac{1}{16}$ " x  $3\frac{1}{8}$ "  
for Andersen Perma-Shield Casement/Awning Units •  $4\frac{9}{16}$ " Wall



234 STOOL  $\frac{3}{4}$ " x  $2\frac{3}{4}$ "



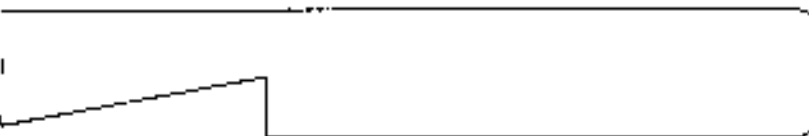
1280  $1\frac{1}{16}$ " x  $5\frac{7}{16}$ "  
for Andersen Perma-Shield Casement/Awning Units •  $6\frac{9}{16}$ " Wall



1281  $\frac{1}{16}$ " x  $4\frac{1}{2}$ "  
for Andersen Perma-Shield Narroline Units •  $6\frac{9}{16}$ " Wall



1282  $1\frac{1}{16}$ " x  $2\frac{3}{8}$ " For Andersen  
Perma-Shield Narroline Units •  $4\frac{9}{16}$ " Wall



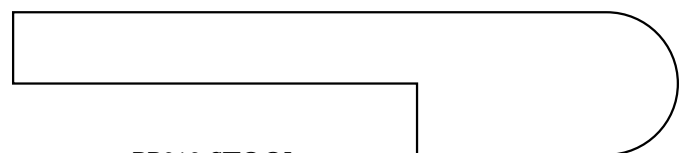
8669B  $\frac{1}{16}$ " x  $4\frac{1}{4}$ " •  $6\frac{9}{16}$ " Wall



B668  $1\frac{1}{16}$ " x  $2\frac{1}{4}$ "

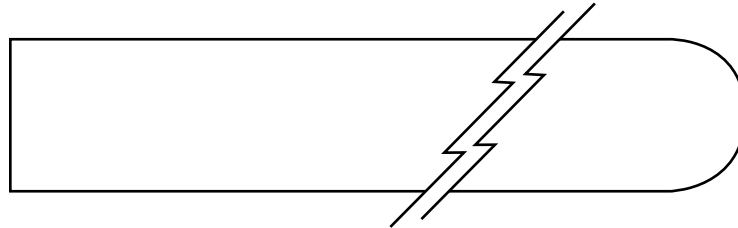


1268A  $\frac{1}{16}$ " x  $3\frac{1}{2}$ "

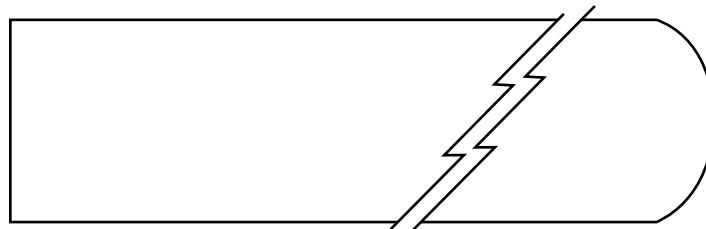


PP312 STOOL  
 $\frac{3}{4}$ " x  $3\frac{1}{2}$ " with  $\frac{3}{8}$ " x  $2\frac{1}{8}$ " Rabbett

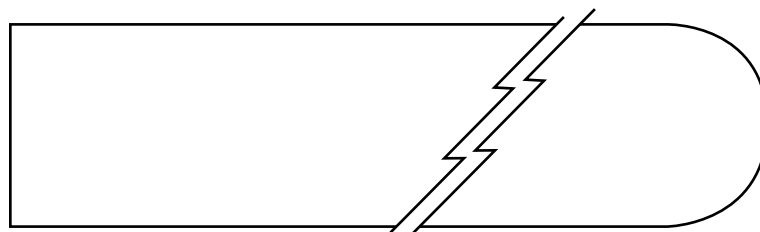
Shown at 100% Scale



$\frac{3}{4}$ " Stool (no dado) bullnosed



$\frac{5}{4}$ " Stool ellipse-nosed (standard)




$\frac{5}{4}$ " Stool (no dado) bullnosed (by request)

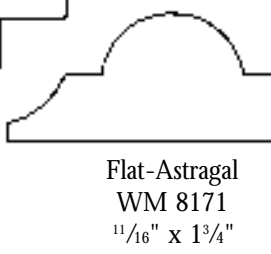
Note: Available in widths from  $1\frac{1}{4}$ " to  $11\frac{1}{4}$ "  
(wider widths available by special order)  
Custom rabbets are available on request.

**ASTRAGAL**

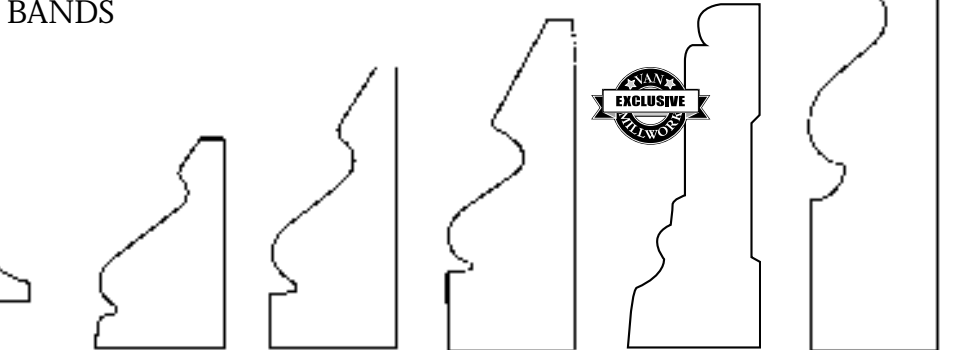
T-Astragal  
WM 1290  
1 3/8" x 7'



Flat-Astragal  
WM 8171  
1 1/16" x 1 3/4"



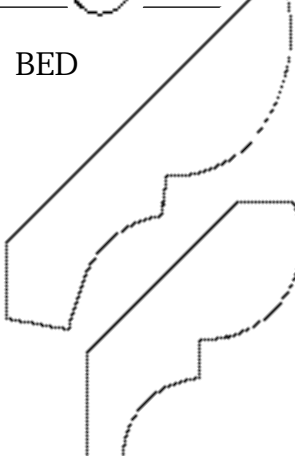
**BANDS**




8462 1 1/16" x 1 1/8"    8463 1 1/16" x 1 1/2"    8465 1 1/16" x 1 3/4"    Van Band 1 1/16" x 1 7/8"    8180 1 1/16" x 2 1/2"

**BED**

8018  
Aprox.  
Coverage  
Ceil: 1 1/4"  
Wall: 1 7/8"  
9/16" x 2 1/4"




8016  
Aprox.  
Coverage  
Ceil: 1"  
Wall: 1 3/8"  
9/16" x 1 3/4"




**BASE MOULDING**

B665 1/2" x 3/4"




8423 1/2" x 3/4"

**CARPET STRIP**

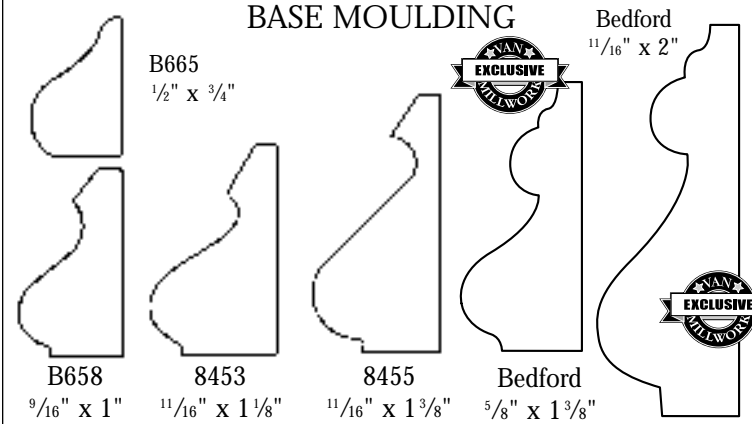


**GLASS BEAD**  
8590 1/2" x 3/8"



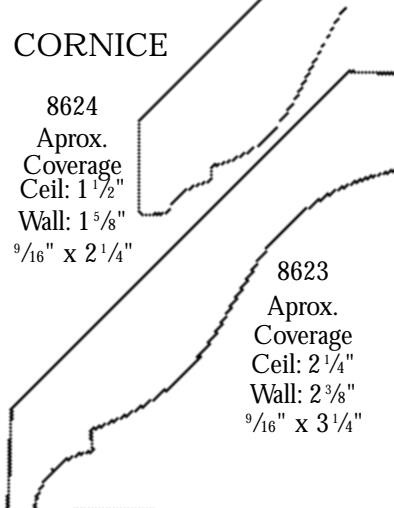
B658 9/16" x 1"    8453 1 1/16" x 1 1/8"    8455 1 1/16" x 1 3/8"    Bedford 5/8" x 1 3/8"

Bedford 1 1/16" x 2"

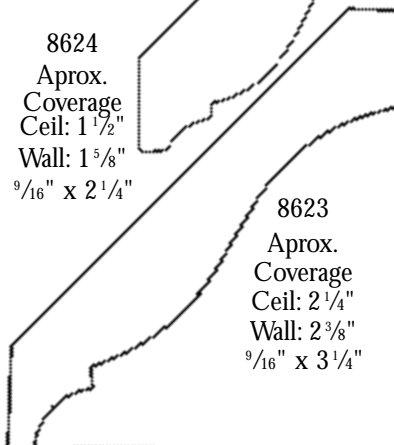


**CORNICE**

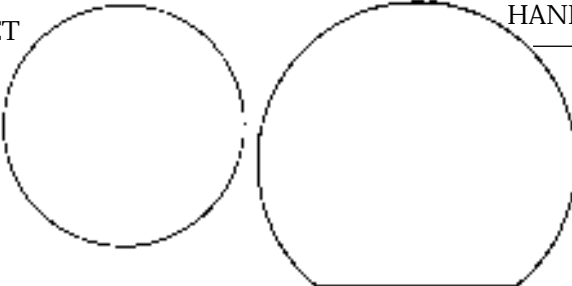
8624  
Aprox.  
Coverage  
Ceil: 1 1/2"  
Wall: 1 5/8"  
9/16" x 2 1/4"



8623  
Aprox.  
Coverage  
Ceil: 2 1/4"  
Wall: 2 3/8"  
9/16" x 3 1/4"



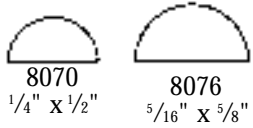
**CLOSET POLE**  
8912 1 5/16"



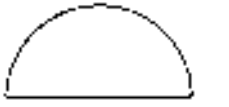
**HAND RAIL 1 5/8"**

**HALF ROUND**

8070 1/4" x 1 1/2"    8076 5/16" x 5/8"

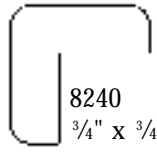


8078 1/2" x 1"

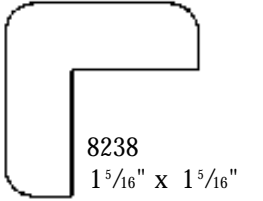


**CORNER**

8240 3/4" x 3/4"

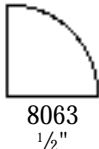


8238 1 5/16" x 1 5/16"

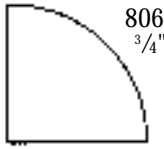


**QUARTER ROUND**

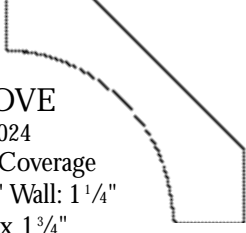
8063 1/2"



8065 3/4"

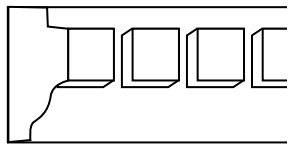


**COVE**  
8024  
Aprox. Coverage  
Ceil: 1 1/8" Wall: 1 1/4"  
9/16" x 1 3/4"

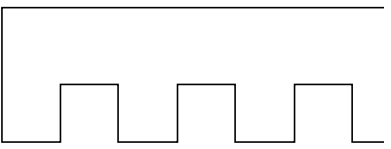


**DENTIL**

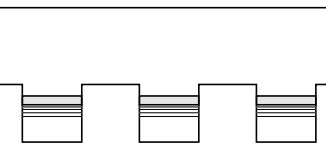
B639 3/4" x 1 3/4"



Plain 1/2" x 1 3/4"



Beaded 1/2" x 1 3/4"



**MULLION CENTER**

$\frac{3}{8}$ " X  $5\frac{1}{2}$ "



**PINE NOSING**

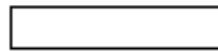


$\frac{3}{4}$ " X  $1\frac{1}{4}$ "

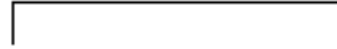


**8144**  $\frac{3}{4}$ " X  $1\frac{3}{4}$ "

**LATTICE**



**8280**  $\frac{1}{4}$ " X  $1\frac{1}{8}$ "



**8281**  $\frac{1}{4}$ " X  $1\frac{5}{16}$ "



**8282**  $\frac{1}{4}$ " X  $1\frac{3}{4}$ "



**8628**  $\frac{3}{8}$ " X  $2\frac{1}{4}$ "

**SCOTIA**



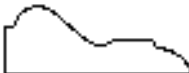
**8052**  $\frac{11}{16}$ " X  $\frac{11}{16}$ "

**SHELF EDGE**



**8610**  
 $\frac{1}{4}$ " X  $\frac{3}{4}$ "

**PANEL STOCK**



**8161**  $\frac{3}{8}$ " X  $1$ "

**VAN PANEL MOULDING**

$1$ " X  $2$ "



**SCREEN MOULDING**

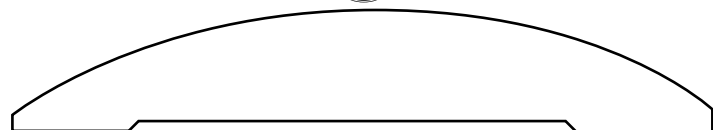


**8139**  
 $\frac{5}{16}$ " X  $\frac{5}{8}$ "

**PANEL MOULDING**



**5024**  $\frac{9}{16}$ " X  $1\frac{1}{8}$ "



**VAN MANTEL MOULDING**  $\frac{1}{2}$ " X  $3\frac{5}{8}$ "

**STOPS**



**8093A**  $\frac{3}{8}$ " X  $2\frac{1}{2}$ "



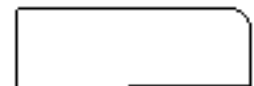
**8093B**  $\frac{3}{8}$ " X  $4\frac{1}{4}$ "



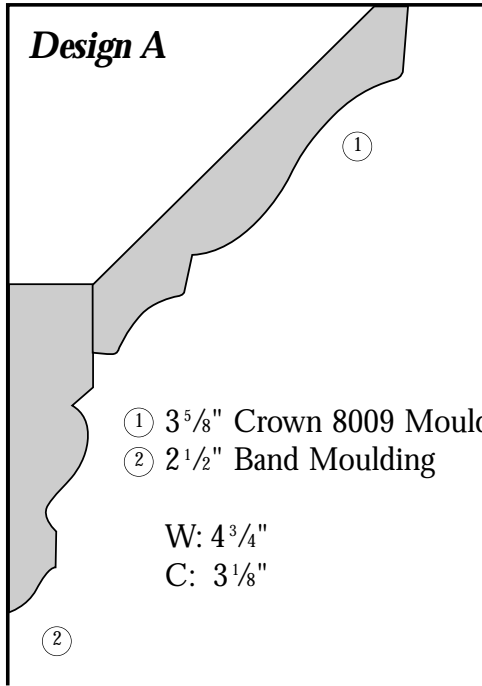
**8120**  $\frac{3}{8}$ " X  $1\frac{5}{8}$ "



**8096**  $\frac{3}{8}$ " X  $1\frac{5}{16}$ "



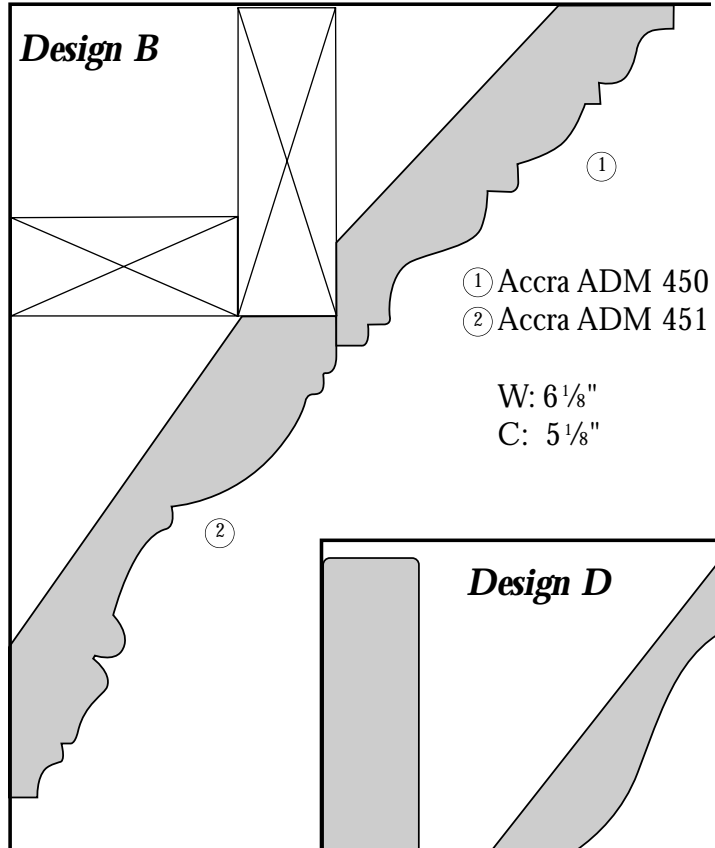
**B877**  $\frac{7}{16}$ " X  $1\frac{1}{4}$ "



**Design A**

- ① 3 5/8" Crown 8009 Moulding
- ② 2 1/2" Band Moulding

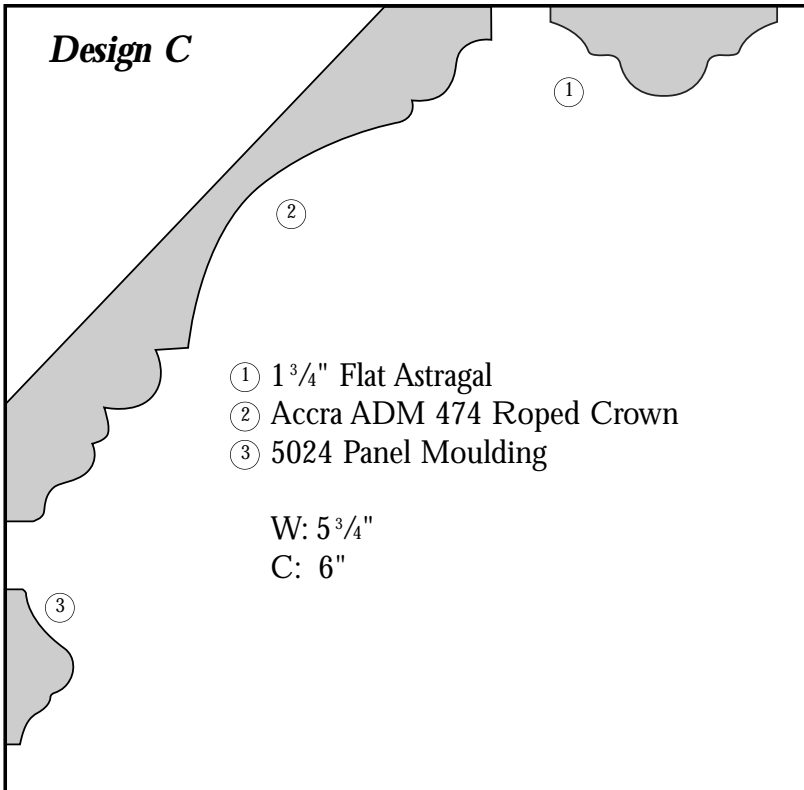
W: 4 3/4"  
C: 3 1/8"



**Design B**

- ① Accra ADM 450 Crown
- ② Accra ADM 451 Crown

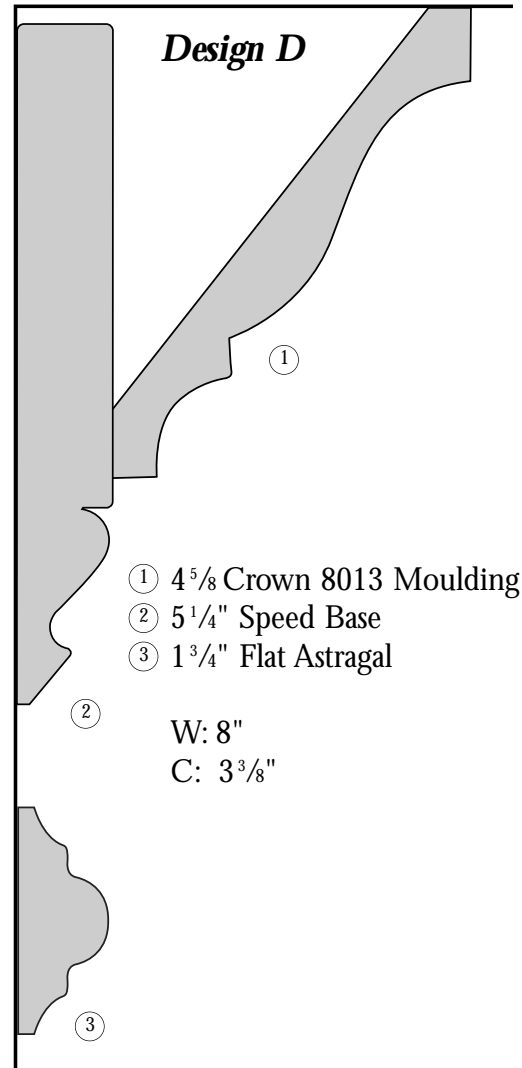
W: 6 1/8"  
C: 5 1/8"



**Design C**

- ① 1 3/4" Flat Astragal
- ② Accra ADM 474 Roped Crown
- ③ 5024 Panel Moulding

W: 5 3/4"  
C: 6"

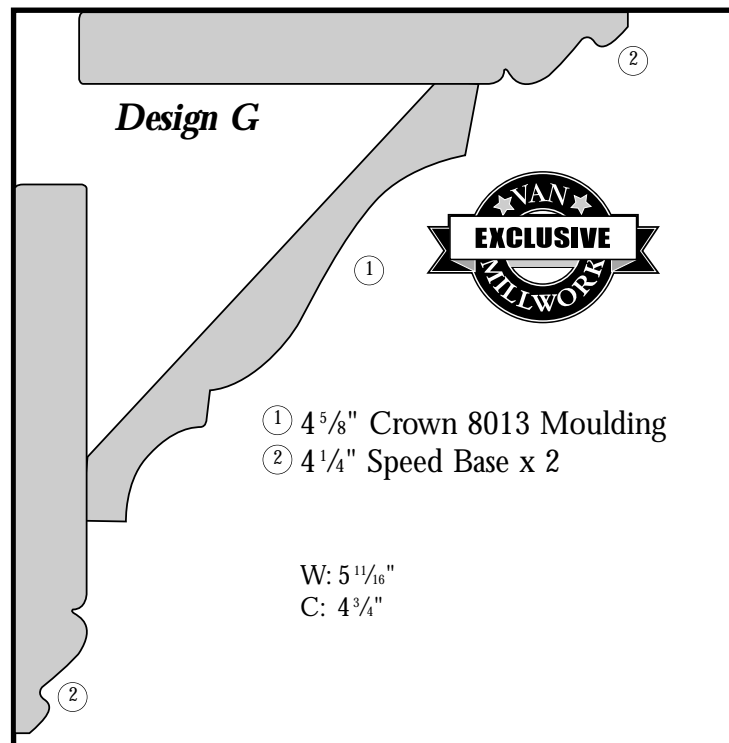
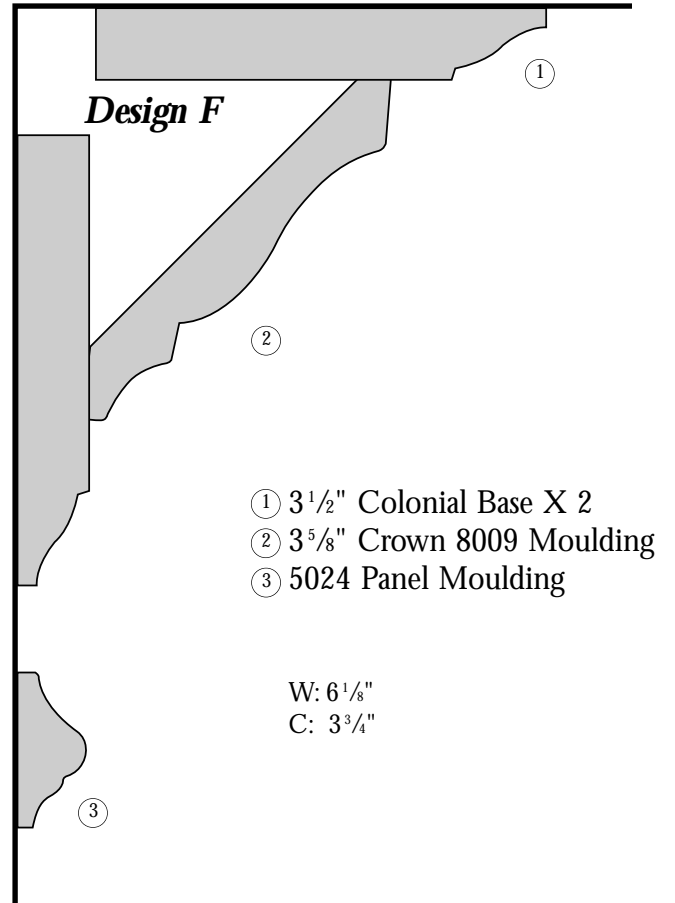
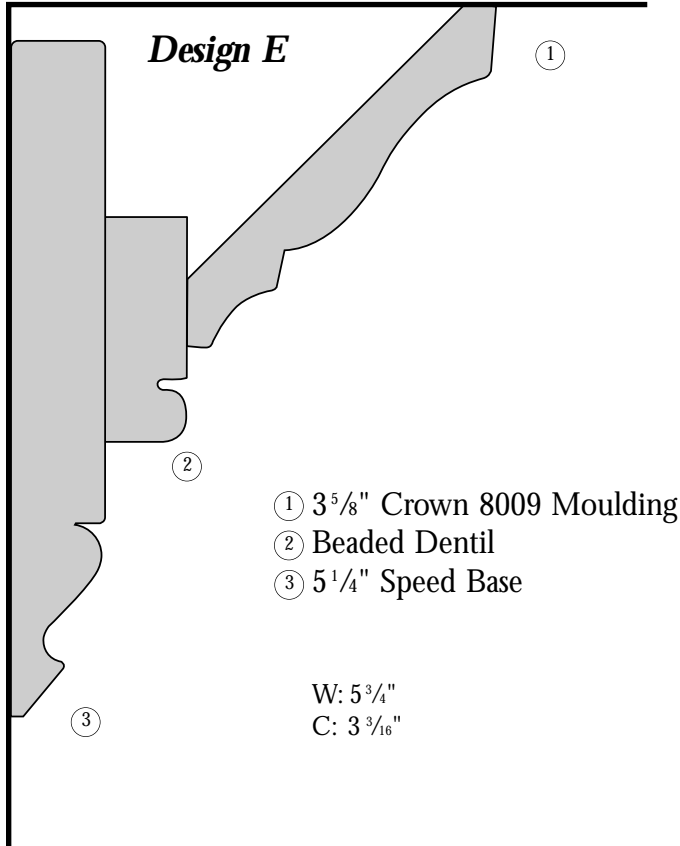


**Design D**

- ① 4 5/8" Crown 8013 Moulding
- ② 5 1/4" Speed Base
- ③ 1 3/4" Flat Astragal

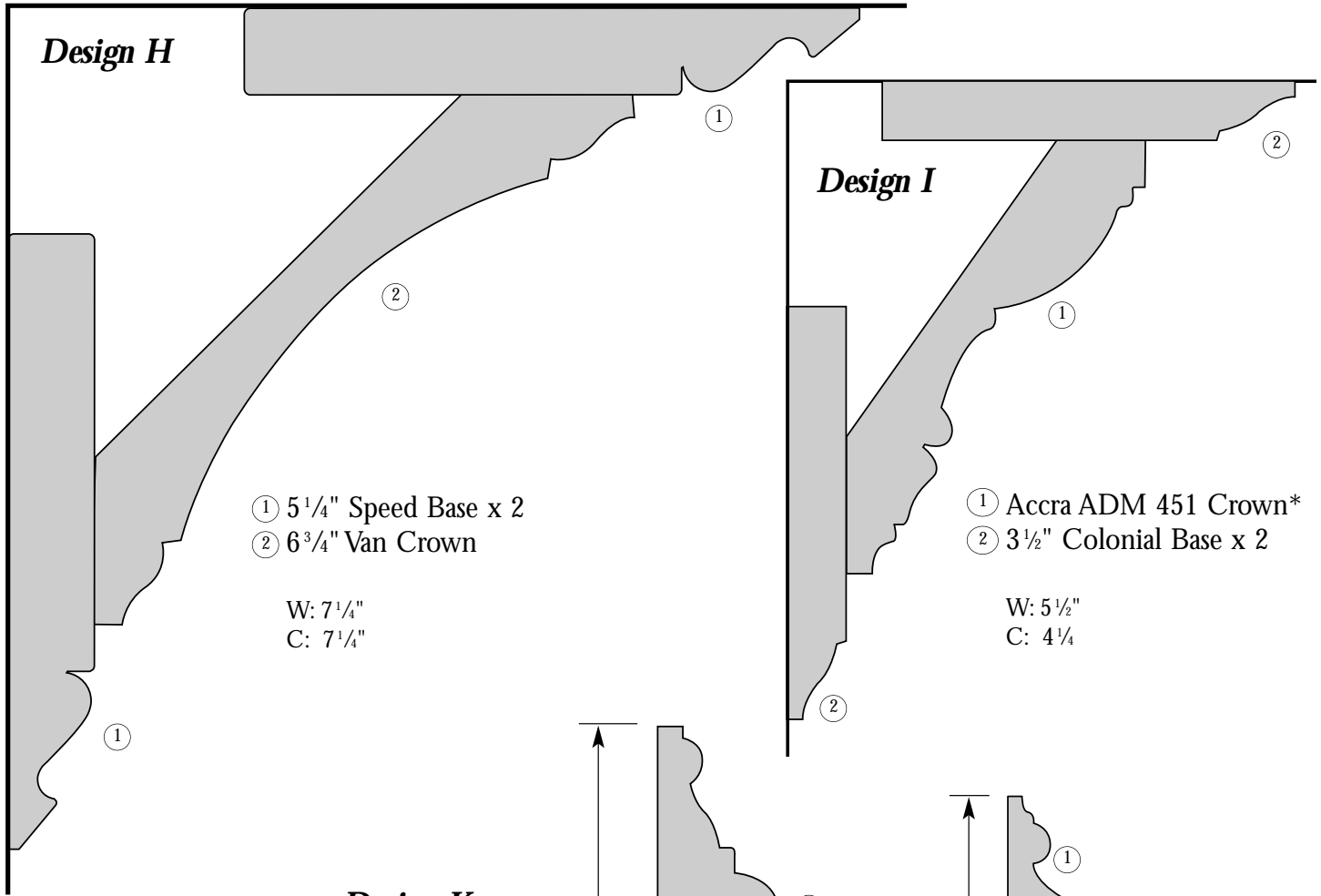
W: 8"  
C: 3 3/8"

W = Wall Coverage, C = Ceiling Coverage



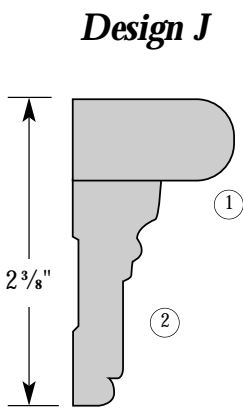
W = Wall Coverage, C = Ceiling Coverage



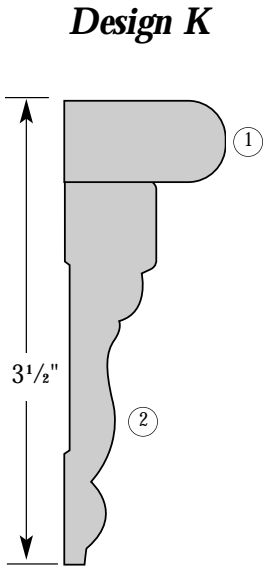


- ① 5 1/4" Speed Base x 2  
② 6 3/4" Van Crown  
W: 7 1/4"  
C: 7 1/4"

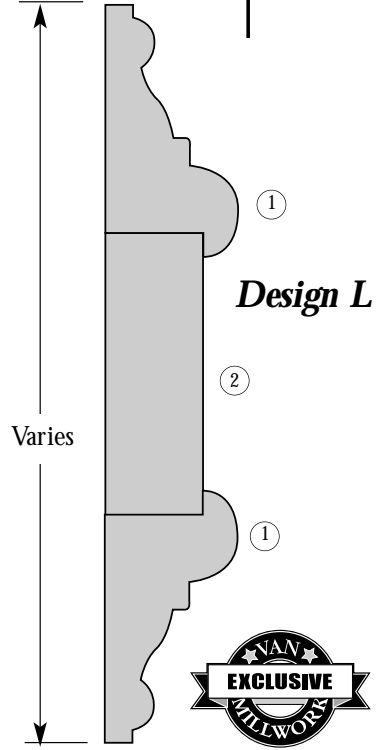
- ① Accra ADM 451 Crown\*  
② 3 1/2" Colonial Base x 2  
W: 5 1/2"  
C: 4 1/4"



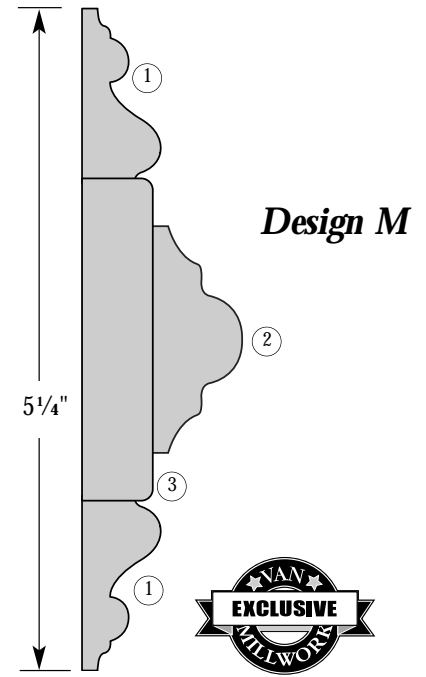
- ① 1 1/4" Nosing  
② Van Band



- ① 1 1/4" Nosing  
② 3" Concord Casing



- ① Van Panel Moulding  
② 1X Stock



- ① 1 3/8" Bedford Base Cap X 2  
② 1 3/4" Flat Astragal  
③ 9/16" x 2 1/2" Eased Edge Casing



W = Wall Coverage, C = Ceiling Coverage

Page	Stock Moulding Description	Species (*)
	<b>Casings</b>	
2-1	2 1/2" Colonial Casing	FJ/CL Pine
2-1	2 1/2" Newport Casing	FJ Primed Poplar, CL Pine
2-1	2 1/2" Eased Edge Casing	FJ/CL Pine
2-1	2 1/2" Clam Casing	CL Pine
2-1	3" Concord Casing	FJ/CL Pine
2-1	3 1/4" Belly Band Casing	FJ Poplar
2-2	3 1/4" Rockport Beaded Casing	CL Pine
2-2	3 1/4" Rockport Fluted Casing	CL Pine
2-2	3 1/2" Colonial Casing	FJ/CL Pine
2-2	3 1/2" Windsor Casing	FJ Primed Poplar, CL Pine
2-2	3 1/2" Sherborn Casing	FJ Primed Poplar, CL Pine, Red Oak
2-2	3 1/2" Alexander Casing	FJ Poplar
2-3	3 1/2" Eased Edge 8308 Casing	FJ/CL Pine
2-3	4 1/4" Belly Band Casing	CL Pine, FJ Poplar
2-3	4 1/4" Alexander Casing	FJ Poplar
	<b>Baseboards</b>	
2-4	3 1/2" Colonial Base 8712	FJ Primed Pine, CL Pine
2-4	4 1/4" Speed Base	FJ Primed Pine, CL Pine
2-4	4 1/4" Square Base	FJ/CL Pine
2-4	5 1/4" Speed Base	FJ Primed Pine, CL Pine
2-4	5 1/2" Square Base	FJ Pine
2-4	7 3/4" MDF Speed Base	Primed MDF
2-5	9 1/4" Speed Base/Plinth Block	FJ Poplar
	<b>Chair Rails</b>	
2-6	3" WM300	FJ/CL Pine
2-6	2 1/2" Governor Francis 8630	FJ Primed Pine, CL Pine
	<b>Crowns</b>	
2-7, 2-8	3 5/8" Crown 8009	FJ Primed Pine, CL Pine
2-7, 2-8	4 5/8" Crown 8013	FJ Primed Pine, CL Pine
2-7, 2-8	4 5/8" Van Crown 4450	FJ Primed Pine
2-7, 2-8	4 1/4" Crown with Dentil KM414	FJ Pine
2-7, 2-8	5 1/4" Crown with Dentil KM514	FJ Pine
2-7, 2-8	6 3/4" Crown	FJ Pine
2-9	ADM 450	CL Poplar
2-9	ADM 451	CL Poplar
2-9	ADM 474	CL Poplar
2-9	ADM 674	CL Poplar
	<b>Stool Caps</b>	
2-10	1275	CL Pine
2-10	1276	CL Pine
	<i>Continued</i>	

Page	Stock Moulding Description	Species (*)
	<b>Stool Caps</b>	
2-10	1279	CL Pine
2-10	1280	CL Pine
2-10	1281	CL Pine
2-10	1282	CL Pine
2-10	8669B	CL Pine
2-10	234	CL Pine
2-10	B668	FJ/CL Pine
2-10	1268A	CL Pine
2-10	PP312 Stool	Poplar
	<b>Nosed Stools</b>	
2-11	3/4" Bullnosed Stool	CL Pine, Poplar
2-11	5/4" Bullnosed Stool	CL Pine, FJ Pine, Poplar
2-11	5/4" Ellipse-nosed Stool	CL Pine, FJ Pine, Poplar
	<b>Astragal</b>	
2-12	T-Astragal WM1290	CL Pine
2-12	Flat Astragal WM8171	CL Pine
	<b>Bed</b>	
2-12	8018	CL Pine
2-12	8016	CL Pine
	<b>Cornice</b>	
2-12	8624	CL Pine
2-12	8623	CL Pine
	<b>Cove</b>	
2-12	8024	CL Pine
	<b>Band</b>	
2-12	8462	CL Pine
2-12	8463	CL Pine
2-12	8465	CL Pine
2-12	Van Band	CL Pine
2-12	8180	CL Pine
	<b>Base Moulding</b>	
2-12	B665	CL Pine
2-12	B658	CL Pine, Red Oak
2-12	8453	CL Pine
2-12	8455	CL Pine, Red Oak
2-12	Bedford 5/8" x 1 3/8"	CL Pine
2-12	Bedford 11/16" x 2"	CL Pine
	<b>Dentil Moulding</b>	
2-12	B639	Poplar
2-12	Plain Dentil	CL Pine
2-12	Beaded Dentil	CL Pine

(\*) FJ = finger jointed, CL = clear. Stock items as noted are available for immediate delivery. Allow 2-3 weeks for Cherry, Maple, Mahogany, Red Oak, and White Oak special orders; and 3-4 weeks for Ash, Yellow Birch, Walnut, and other special orders.

Page	Stock Moulding Description	Species (*)
	<b>Half Round</b>	
2-12	8070	CL Pine
2-12	8076	CL Pine
2-12	8078	CL Pine
	<b>Quarter Round</b>	
2-12	8063	CL Pine
2-12	8065	CL Pine
	<b>Corner</b>	
2-12	8240 Corner	CL Pine
2-12	8238 Corner	CL Pine
	<b>Lattice</b>	
2-13	8280 Lattice	CL Pine
2-13	8281 Lattice	CL Pine
2-13	8282 Lattice	CL Pine
2-13	8628 Lattice	CL Pine
	<b>Pine Nosing</b>	
2-13	3/4" x 1 1/4" Nosing	CL Pine
2-13	8144 (3/4" x 1 3/4") Nosing	CL Pine
	<b>Stops</b>	
2-13	8093A	CL Pine
2-13	8093B	CL Pine
2-13	8120	CL Pine
2-13	8096	CL Pine
2-13	B877	CL Pine
	<b>Miscellaneous</b>	
2-12	Carpet Strip 8423	CL Pine
2-12	Glass Bead 8590	CL Pine
2-12	Closet Pole 8912	CL Pine
2-12	Hand Rail 1 5/8"	CL Poplar
2-13	Scotia 8052	Red Oak, White Oak, Maple
2-13	Screen Moulding 8139	CL Pine
2-13	Mullion Center (3/8" x 5 1/2")	CL Pine
2-13	Shelf Edge 8610-WM142	CL Pine
2-13	Van Mantel Moulding	CL Pine
2-13	Van Panel Moulding 1" x 2" rabbeted	FJ Poplar
2-13	Panel Moulding 5024	FJ Pine
2-13	Panel Stock 8161	CL Pine
2-14 – 2-16	<b>Moulding Built-Ups</b>	

(\*) FJ = finger jointed, CL = clear. Stock items as noted are available for immediate delivery. Allow 2-3 weeks for Cherry, Maple, Mahogany, Red Oak, and White Oak special orders; and 3-4 weeks for Ash, Yellow Birch, Walnut, and other special orders.